

Boyne bollard

fixed & removable installation options

041-9832591 | info@ipl.ie | www.iplgroup.com

Classic design bollard suitable for both town and rural landscape, for new developments and upgrades of existing streetscapes.

features...

Strong galvanised steel post and cast aluminium construction with black polyester powder coated finish as standard. This bollard can be specified either ground-fixed or removable with RS socket.

options...

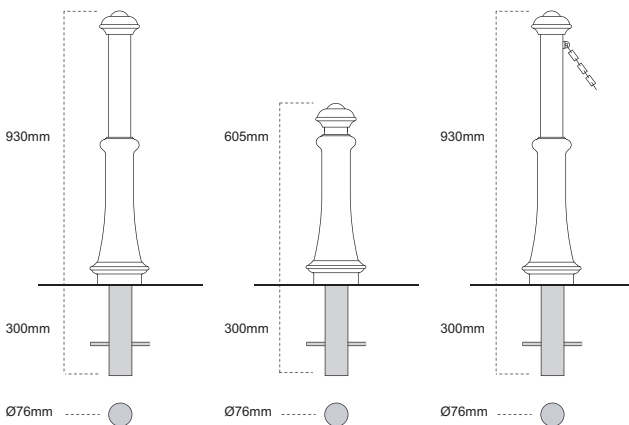
- Cast aluminium crest
- 3M diamond grade reflective tape
- 8mm galvanised heavy-duty short-link chain
- Customer colour requirements
- Reinforced core post
- RS socket (for removable & locking option)

RETENTION SYSTEM™

THE INTELLIGENT FOUNDATION FOR POST INSTALLATION

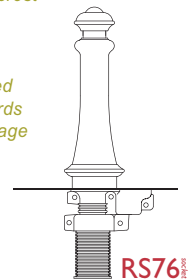
Versatility & foresight:
Specifying the use of RS sockets anticipates the expected installation demands, maintenance needs and lifecycle of the post.

www.retention-system.com



Identity can be augmented with optional cast shield for town and county crest or corporate logo.

A combination of fixed and removable bollards may be used to manage access control.



design | identity | security

Boyne bollard	G770	G780	G770 [stowaway]	MADE IN IRELAND
Height (above ground):	930mm	605mm	930mm	
Depth (below ground):	300mm	300mm	300mm	
Diameter (core post):	Ø76mm	Ø76mm	Ø76mm	
Total Weight:	12.5kg	10.5kg	17.5kg	
RS socket option:	RS76x300	RS76x300	RS76x300	

Further advice on the RETENTION SYSTEM and Rivers street furniture including specific installation requirements is available from IPL group. Measurements and weights are approximate. The designs are the property of Innovative Products Ltd (IPL group) and may not be reproduced without express permission. Innovative Products reserve the right to amend specifications or to withdraw models without prior notice. © May 2008.

