

Corrib railing

fixed & removable installation options

041-9832591 | info@ipl.ie | www.iplgroup.com

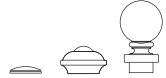


Classic design railing suitable for both town and rural landscape, for new developments and upgrades of existing streetscapes.

features...

Strong galvanised steel post and cast aluminium construction with black polyester powder-coated finish as standard. This railing can be specified either ground-fixed or removable with RS socket.

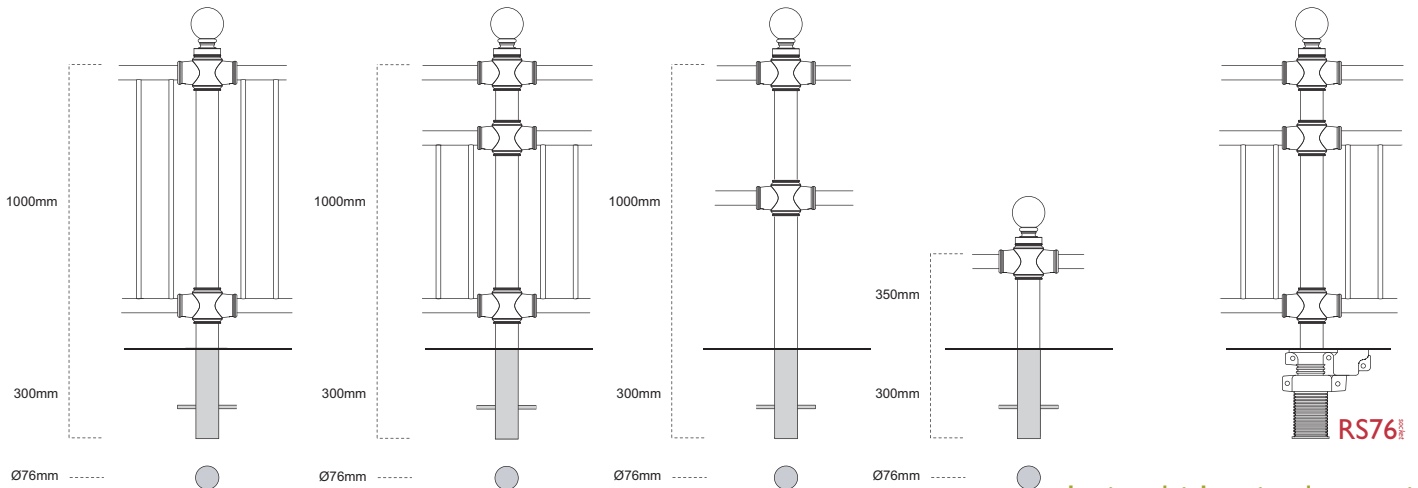
options...

- Choice of tops & bases 
- 3M diamond grade reflective tape
- Customer colour requirements
- Flange fixing (for bolting to paving or plinth)
- RS socket (for removable & locking option)



THE INTELLIGENT FOUNDATION FOR POST INSTALLATION

Versatility & foresight:
Specifying the use of RS sockets anticipates the expected installation demands, maintenance needs and lifecycle of the post.
www.retention-system.com



design | identity | security

Corrib railing (code)	fullCPGR	¾CPGR	2barCPGR	1barCPGR	MADE IN IRELAND
Height (above ground):	1000mm	1000mm	1000mm	350mm	(Panel lengths 2M / 1.5M / 1M available)
Depth (below ground):	300mm	300mm	300mm	300mm	
Diameter (core post):	Ø76mm	Ø76mm	Ø76mm	Ø76mm	
Total Weight:	n/a	n/a	n/a	n/a	
RS socket option:	RS76x300	RS76x300	RS76x300	RS76x300	

Further advice on the RETENTION SYSTEM and Rivers street furniture including specific installation requirements is available from IPL group. Measurements and weights are approximate. The designs are the property of Innovative Products Ltd (IPL group) and may not be reproduced without express permission. Innovative Products reserve the right to amend specifications or to withdraw models without prior notice. © May 2008.

